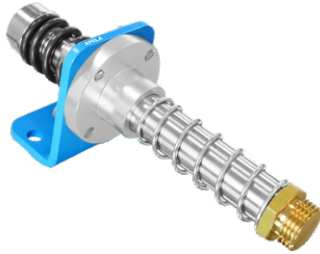


# Spring plungers

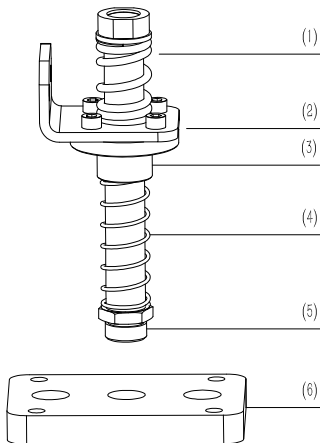
## Spring Plungers MTAL

Stroke:25mm to 75mm

Spring Plungers MTAL



System design Spring Plungers MTAL



### Introduction and application

- ◆ With double-position upper and lower buffer springs, for handling of workpieces with differing heights (such as curved steel plates or wood materials)
- ◆ No additional auxiliary components are required during handling, suitable for work situations with short cycle and fast beat. For use under rough operating conditions

### Design

- ◆ The main body is made of high-strength stainless steel mounting plate, chrome-plated rod and double spring type upper(1) lower(4)
- ◆ Mounting plate (2) containing guide sleeve (3)
- ◆ Connecting thread is external thread (5)
- ◆ Mounting Plate (6) for large area gripping systems

### Ordering Data Spring Plungers MTAL

Type	Ordering Data
MTAL 25 G1-2-AG	90.04.01.00151
MTAL 50 G1-2-AG	90.04.01.00152
MTAL 75 G1-2-AG	90.04.01.00153

### Ordering Data Accessories Spring Plungers MTAL

Type	Ordering Data
FLAN-PL 120-85-15-X	90.04.09.00004
FLAN-PL 120-85-15-C	90.04.09.00009

### Technical Data Spring Plungers MTAL

Type	Spring load rate [ N/mm ]	Spring pretension [ N ]	Spring force [ N ]	Vertical load [ N ]	Weight [ g ]	Operating temperature [ °C ]
MTAL 25 G1-2-AG	3.828	25.60	73.50	3000	730	0...80
MTAL 50 G1-2-AG	1.810	5.40	50.70	3000	780	0...80
MTAL 75 G1-2-AG	1.072	36.90	77.10	3000	830	0...80

# Spring plungers

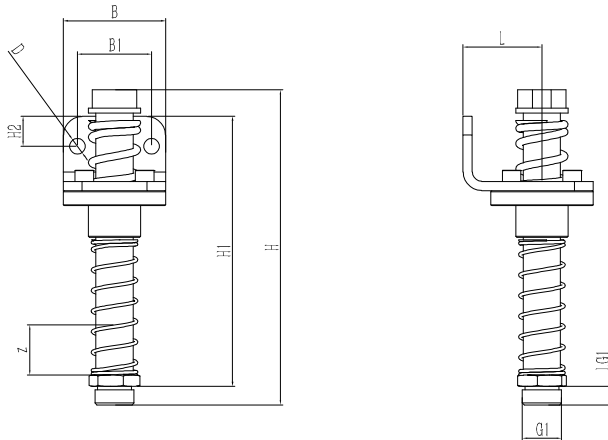
## Spring Plungers MTAL

Stroke:25mm to 75mm



### Design Data Spring Plungers MTAL

MTAL 25 to 75

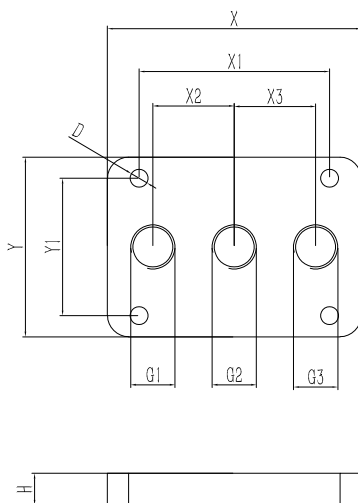


Type	Dimensions[mm]										
	B	B1	H	H1	H2	L	LG1	G1	D	Z (Stroke)	
MTAL 25 G1-2-AG	55	40	139.5	110	16	42.5	10	G1/2	φ8.5	25	
MTAL 50 G1-2-AG	55	40	169.5	140	16	42.5	10	G1/2	φ8.5	50	
MTAL 75 G1-2-AG	55	40	207.5	178	16	42.5	10	G1/2	φ8.5	75	



### Design Data Accessories Spring Plungers MTAL

FLAN-PL 120-85-15



Type	Dimensions[mm]											
	X	X1	X2	X3	Y	Y1	H	G1	G2	G3	D	
FLAN-PL 120-85-15-X	120	90	38.5	38.5	85	65	15	G1/2	G1/2	G1/2	8.5	
FLAN-PL 120-85-15-C	120	98	38.5	38.5	85	65	15	G1/2	G1/2	G1/2	8.5	